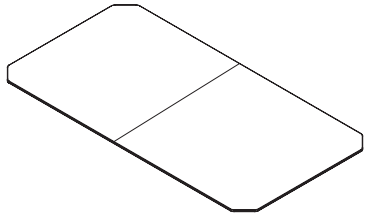

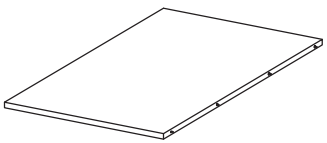
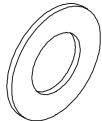
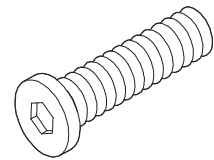
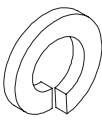
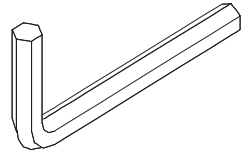
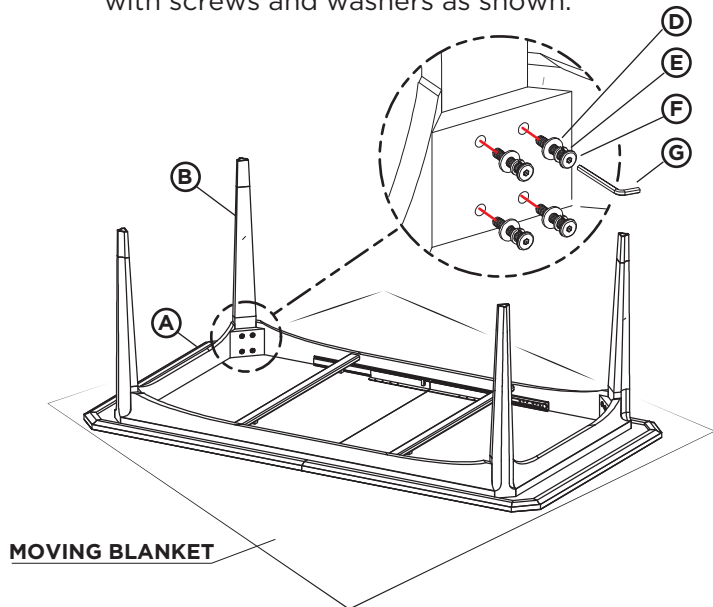


ASSEMBLY INSTRUCTIONS FOR BERTRAM DINING TABLE <BTM-375>

WHAT'S INCLUDED

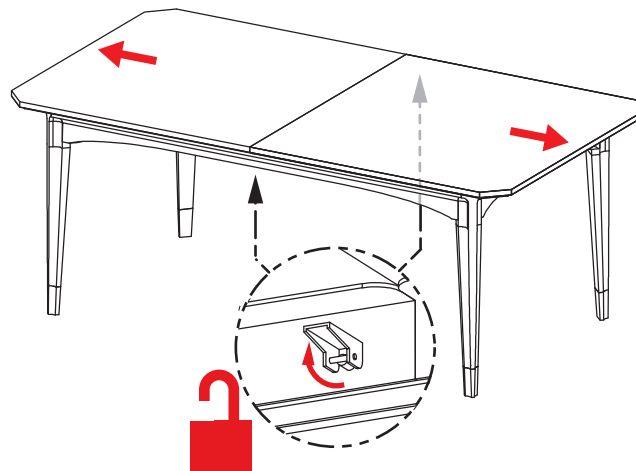
<p>A</p>  <p>TABLE TOP</p>	<p>B</p>  <p>TABLE LEGS 4 PCS</p>	<p>C</p>  <p>TABLE LEAF</p>	<p>D</p>  <p>WASHER 16 PCS</p>	<p>F</p>  <p>SCREWS 16 PCS</p>
			<p>E</p>  <p>LOCK WASHERS 16 PCS</p>	<p>G</p>  <p>WRENCH</p>

- 1** Place the Table Top **A** on a soft flat surface such as a moving blanket. Using the provided wrench **G**, fasten each leg **B** to the table top with screws and washers as shown.



- 2** With help from another person, lift and rotate the assembled table right side up.

- 3** To add the center leaf, first reach beneath the table and unlatch the locks on both sides as shown. Pull each side of the table top to extend.



- 4** Lower the Table Leaf **C** on to the table. Making sure the dowels and holes align, push the table top ends back together against the table leaf. Finally, return the locks to the down position as shown.

