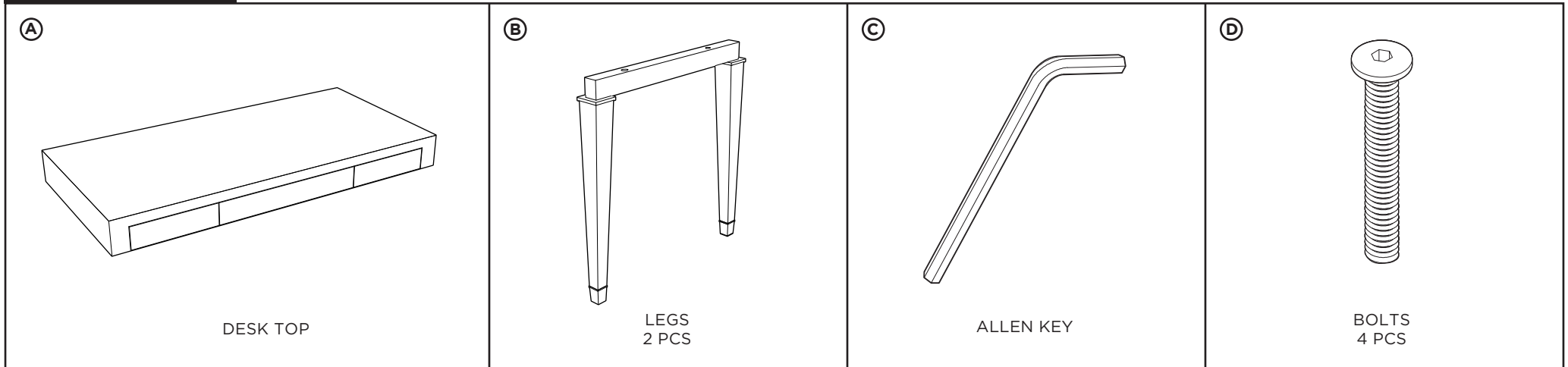
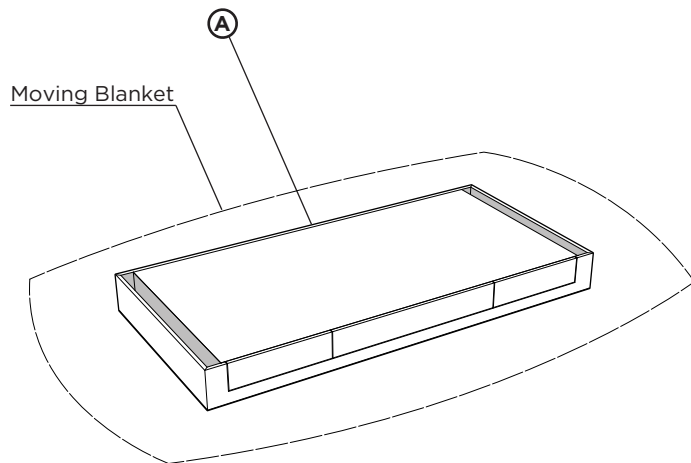


ASSEMBLY INSTRUCTIONS FOR CLAUDETTE DESK <CLU-350>

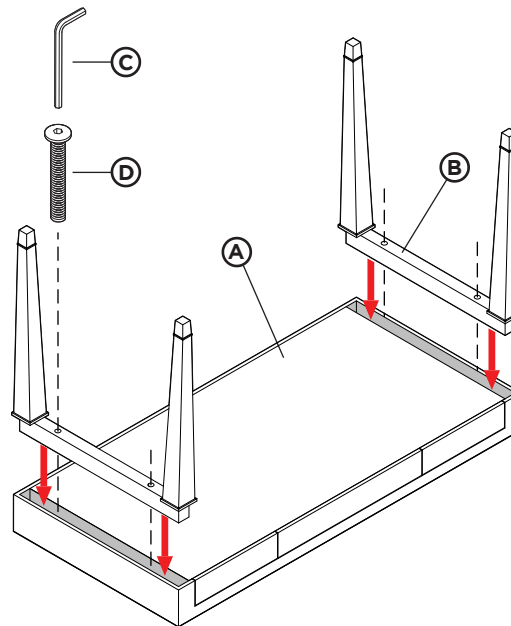
WHAT'S INCLUDED



1 Unpack all parts and hardware from the box. Carefully lay desk top **(A)** upside down on a flat, soft surface such as a moving blanket.



2 Slide legs **(B)** into the desk as shown. Using the Allen Key **(C)**, fasten the legs to the desk top with the bolts **(D)**



3 After checking that all hardware is tightly fastened, carefully lift desk and turn right side up. Remove and reverse all drawer pulls, taking care not to damage drawer faces.

