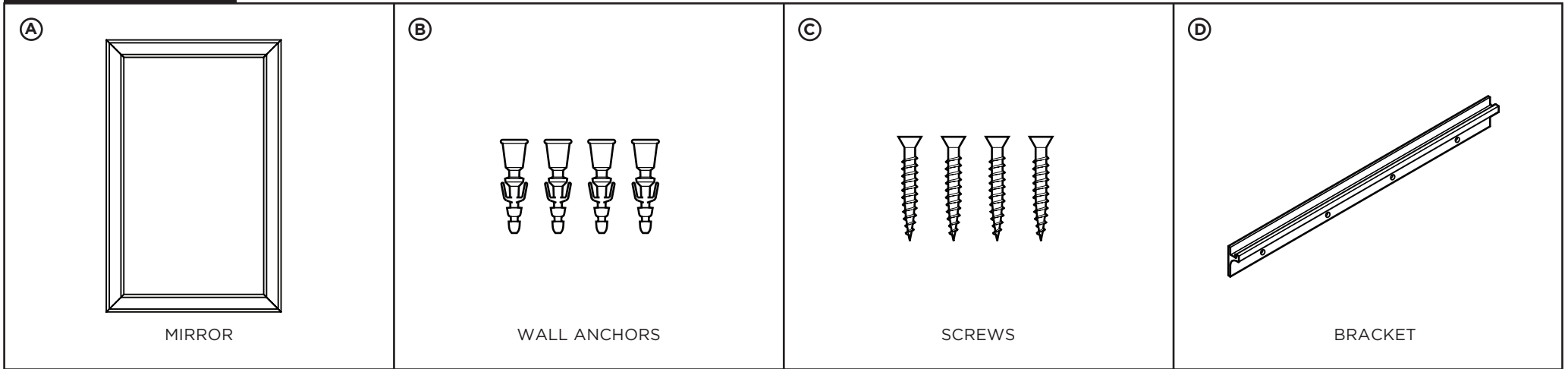
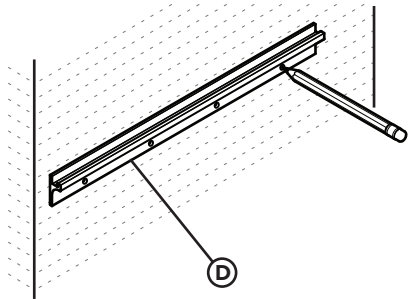


ASSEMBLY INSTRUCTIONS FOR ELLEN LARGE MIRROR <ELN - 690>

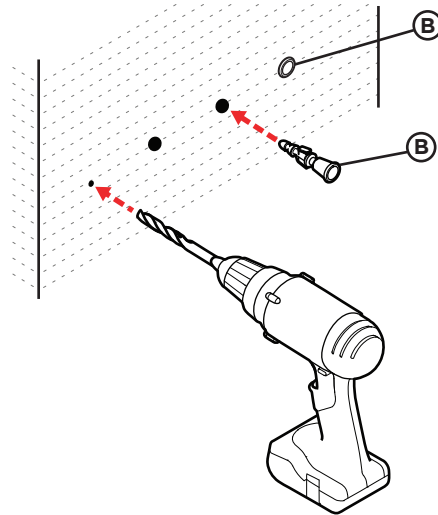
WHAT'S INCLUDED



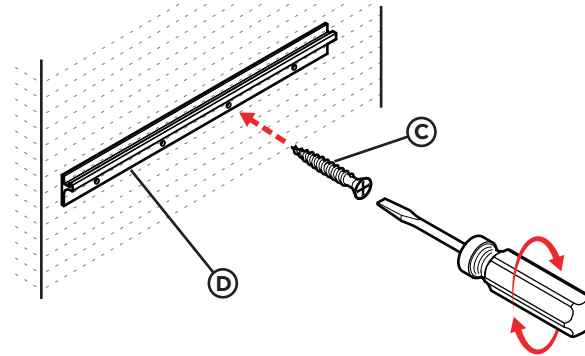
- 1** Unpack all components carefully. Place the bracket (D) against the wall where the mirror will be mounted. Using a pencil, note the location of each screw hole on the wall.



- 2** Using a power drill, make a hole into the wall at each of the pencil marks. Press or tap wall anchors (B) into the wall.



- 3** Replace bracket on the wall, so the holes in the bracket align with the wall anchors. Secure bracket to the wall using supplied screws (C).



- 4** Find bracket on the back of the mirror (A). Hang the mirror bracket onto the wall bracket. The mirror may be hung in landscape or portrait orientation.

