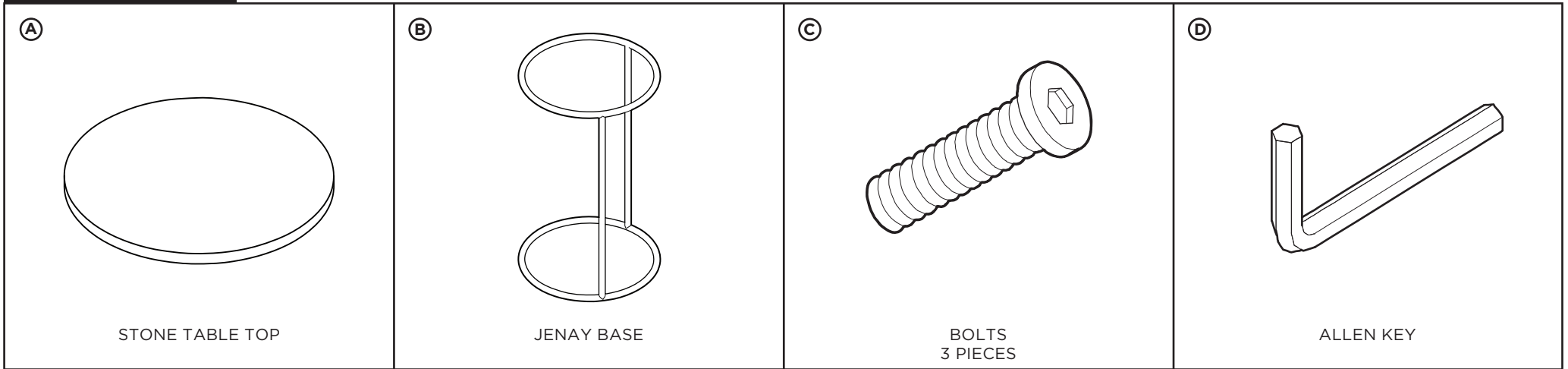


ASSEMBLY INSTRUCTIONS FOR JENAY SIDE TABLE <JNY - 100)

WHAT'S INCLUDED



1 Carefully lay stone table top **A** on a flat surface, with the bottom facing up so that the screw-holes are visible.

2 Center the top of the base **B** against the bottom face of the table top and align screw-holes. Using Allen key **D**, secure base to table top with supplied bolts **C**.

3 Carefully lift the table off of the floor and place it right side up. Assembly is complete. To clean, use only a soft, dry cloth. Do not use chemicals or abrasives.

