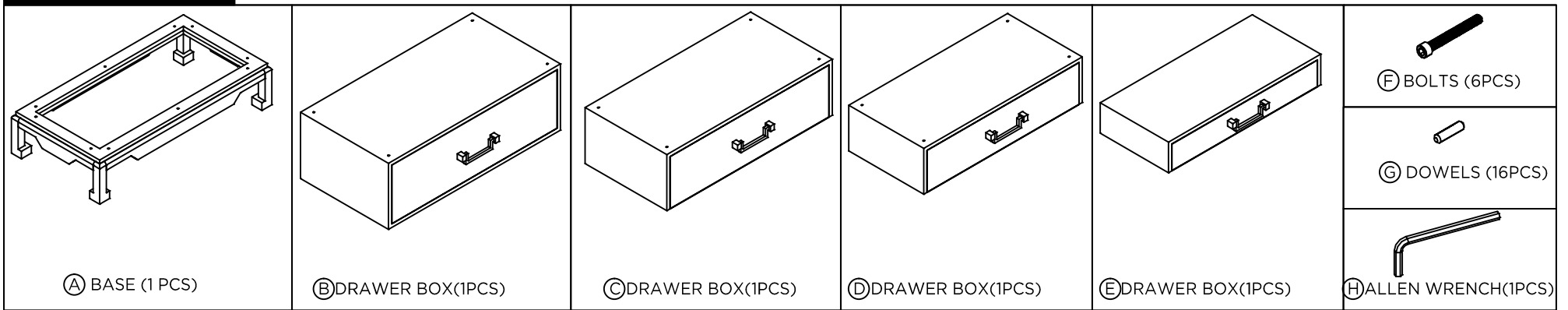


# ASSEMBLY INSTRUCTIONS FOR JASMINE TALL 4-DRAWER CABINET (JSM-275)

## WHAT'S INCLUDED



- 1** - Unpack all parts and hardware carefully.  
 - Place drawer box (B) upside down on soft surface. (soft pad, clean moving blanket as an example)  
 - Place dowels (G) (4) in holes on both sides.  
 - Align holes and place base (A) on drawer box.  
 - Insert bolts (F) and tighten with allen wrench (H).

- 2** - Carefully lift and rotate assembled unit to upright position.  
 - Insert dowels in top of drawer box (B).  
 - Place drawer box (C) on top insert dowels and continue with drawer boxes (D) and (E).

- 3** - Check all connections make sure everything is tight.

