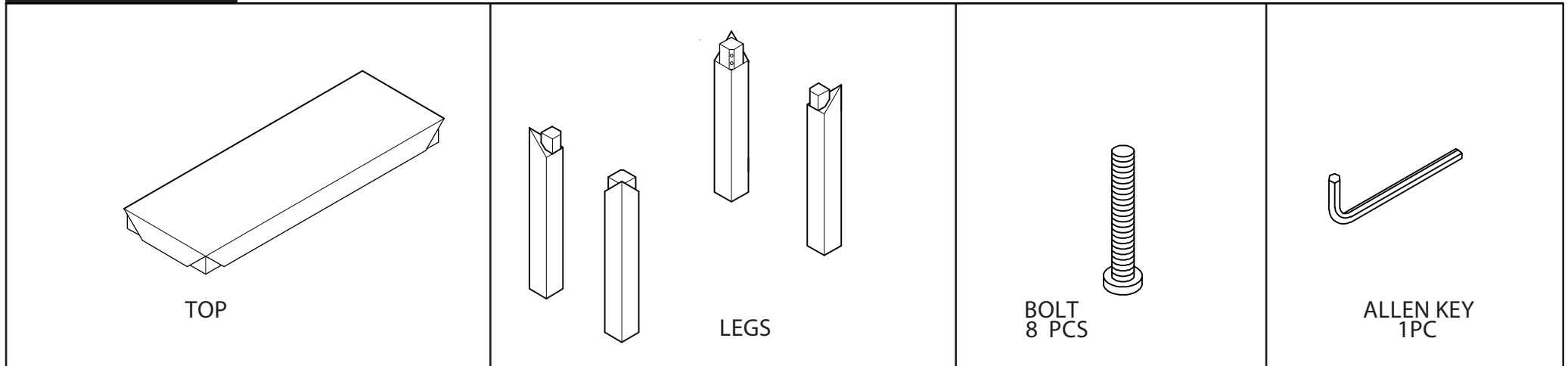


ASSEMBLY INSTRUCTIONS FOR PARSONS CONSOLE (PSN-400)

WHAT'S INCLUDED



- 1 - Unpack all parts carefully

 - Turn console top upside down gently on to a soft surface.
 - Line up the legs to the corresponding holes on the angled blocks at the inside apron corner, as shown.
 - Using 2 bolts each, attach each leg, tightening bolts with supplied allen key.

- 2 - Repeat , attaching all four legs securely.

 - Lift, and turn table onto its feet, being careful not to tilt or lean table on its edges.

