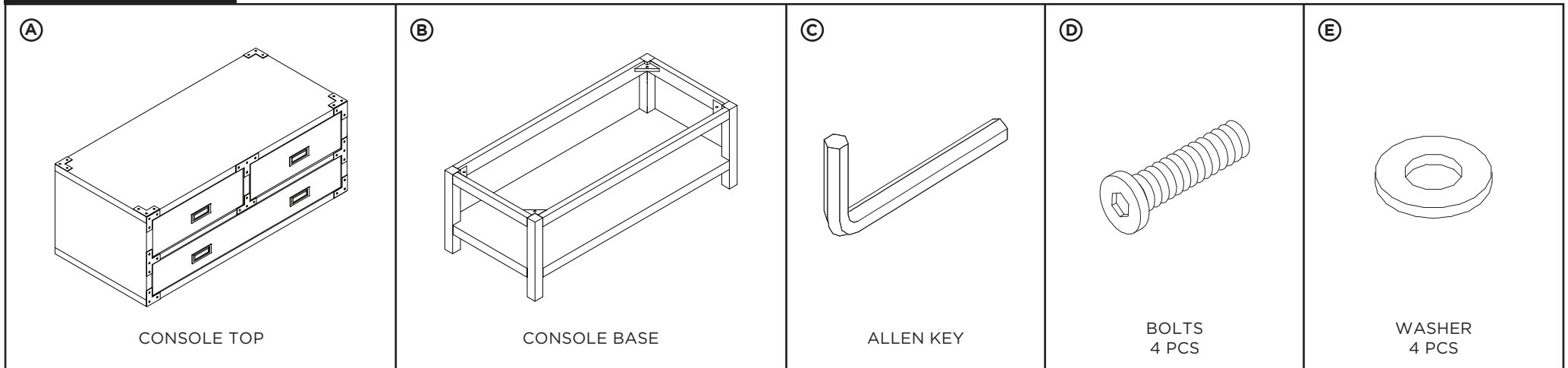


ASSEMBLY INSTRUCTIONS FOR TANSU CONSOLE <TSU-400>

WHAT'S INCLUDED



1 Remove all parts and hardware from the box. Place the console top **(A)** on top of the console base **(B)**.

2 Using the Allen key **(C)**, fasten the console top to the base from beneath using the bolts **(D)** and the washers **(E)**, as shown.

3 Assembly is complete. Wipe down surfaces using a cloth and furniture cleaner to remove any dust or residue from the shipping and handling process.

