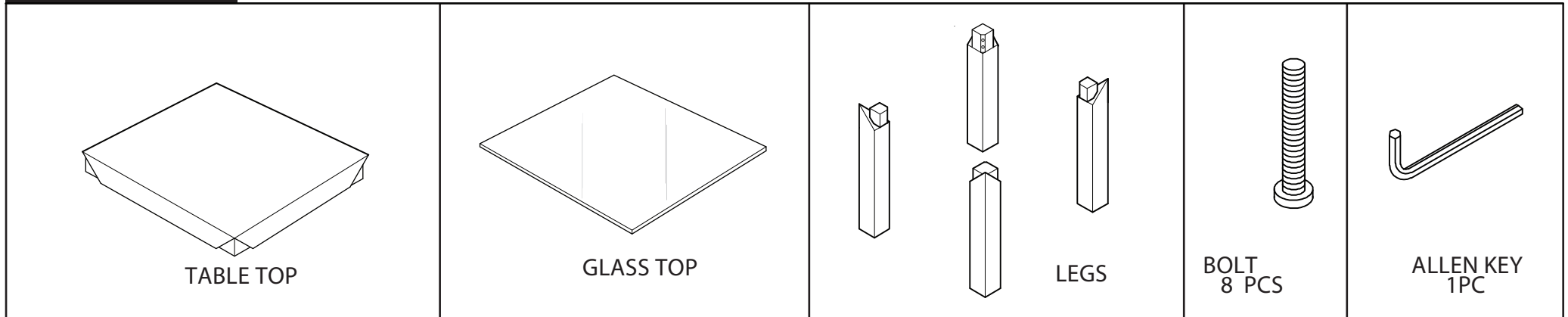


ASSEMBLY INSTRUCTIONS FOR VALENTINA GAME TABLE (VAL-330)

WHAT'S INCLUDED



- 1** - Unpack all parts carefully
- Put Glass Top safely aside.
- Turn table top upside down gently on to a soft surface.
- Line up the legs to the corresponding holes on the angled blocks at the inside apron corners underneath, as shown.
- Using 2 bolts each, attach each leg, tightening bolts with supplied allen key.

- 2** - Repeat , attaching all four legs securely.
- Lift, and turn table onto its feet, being careful not to tilt or lean table on its edges.

- 3** - With a helper, carefully place glass on table top, aligning the edges.

